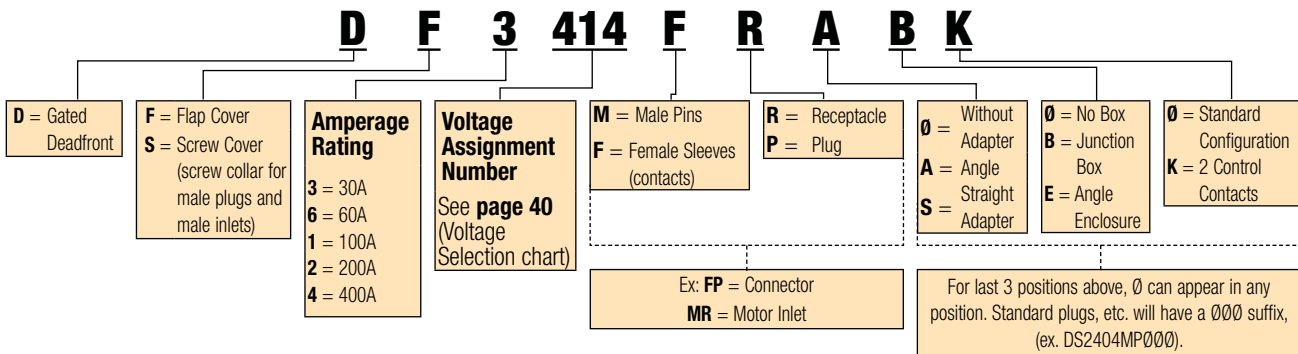


## MaxGard® Interconnection Systems

30A–400A Plugs, Connectors, Receptacles, Inlets and Interlocked Receptacles

### Receptacles, Plugs and Connectors

FEATURE	RUSSELLSTOLL MAXGARD®	CROUSE-HINDS ARKTITE®**	APPLETON POWERTITE®***
Center ground contact	Yes	No	No
24 single-rated factory polarizations	Yes	No	No
Gated deadfront construction	Yes	No	No
Two optional control contacts	Yes	No	No
Marine-grade CDA485 brass pins/sleeves (200–400 amp silver-plated)	Yes	No	No
O-rings/environmental separation, full line	Yes	No	No
Available to 5-wire (4-pole, 5-wire)	Yes	30 and 60 amp only	No
Complete line epoxy powder coated — standard	Yes	No	Some



### Interlocked Receptacles

FEATURE	RUSSELLSTOLL DBRE/DSRE SERIES	CROUSE-HINDS EPC SERIES	APPLETON EBR SERIES (WITH FB BREAKER)
Waterproof (DurORing™) O-ring sealing	Yes	No	No
Available to 5-wire (4-pole, 5-wire) through 100 amp	Yes	No	No
Gated deadfront	Yes	No	No
Center ground sleeve contact	Yes	No	No
24 single-rated factory polarizations	Yes	No	No
Class I, Div. 1, Groups B, C, D	Yes	Yes	Yes
Class II, Div. 1, Groups F and G	Yes	Yes	Yes*
Meets Coast Guard (was CG259) approvals	Yes	No	No

\* Group F excepting electrically conductive dusts. \*\* Crouse-Hinds and Arktite are trademarks of Cooper Industries, Inc. \*\*\* Appleton and Powertite are trademarks of Appleton Electric Inc.

